

Hydro Mount DL

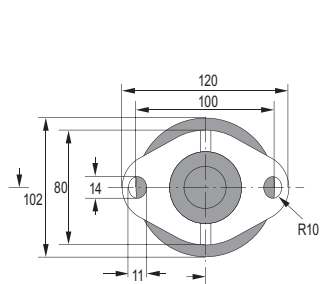
The Hydro Mount DL, as a hydraulically damping rubber mount, solved the designer's conflict of how to mount a mass that is excited by wide frequency spectrum. Particularly if low frequencies – between 5 Hz and 15 Hz – can occur as the excitation frequency, on the one hand high damping in the natural frequency range of the system, and on the other, a good isolation property above this natural frequency (supercritical mounting) is necessary.

Typical applications:

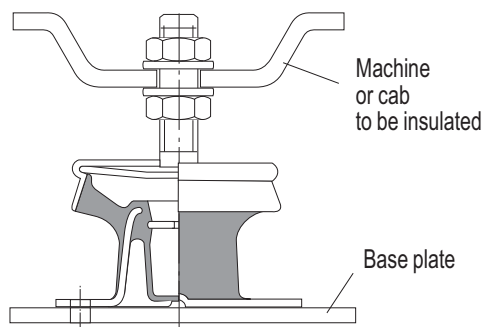
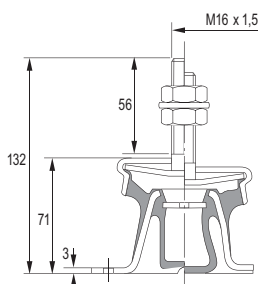
- Pumps
- Compressors
- Utility vehicle engine mount
- Marine engine mount
- Driver cab mount



Technical Drawing



HYDRO MOUNT DL / HD



TYPICAL FITTING ARRANGEMENT

Product Data

| DRAWING NO. | PART NO. | HARDNESS (IRHD) | AXIAL | | RADIAL | CORROSION PROTECTION |
|----------------------------|----------|-----------------|-------------------------------|---------------|-----------------------------|----------------------|
| | | | STIFFNESS AT SZ=2.5 mm (N/mm) | MAX. LOAD (N) | STIFFNESS AT SZ=5 mm (N/mm) | |
| HYDROMOUNT DL | | | | | | |
| 036 18 026 | 93638 | 50 | 142 | 700 | 143 | Black Coated |
| 036 18 028 | 93639 | 60 | 243 | 1200 | 200 | Black Coated |
| 036 18 029 | 93640 | 65 | 350 | 1700 | 230 | Black Coated |
| HYDROMOUNT DL (HD*) | | | | | | |
| 036 18 700 | 511065 | 65 | 350 | 1700 | 230 | Black Coated |
| 036 18 701 | 2129442 | 60 | 243 | 1200 | 200 | Black Coated |
| 036 18 702 | 49022858 | 50 | 142 | 700 | 143 | Black Coated |

*HD stands for High durability at high amplitudes.