

## EVOLo 631 GRADE AA-AC

### APPLICATION

Optimum vibration isolation for a wide range of applications. For larger, heavy-weighted equipment under extreme conditions that needs optimal vibration isolation at both high and low frequencies, such as generator sets, pump units, large diesel engines, compressor/cooling units, gearboxes, windmills, deck house mountings, control cabins.

### MATERIAL

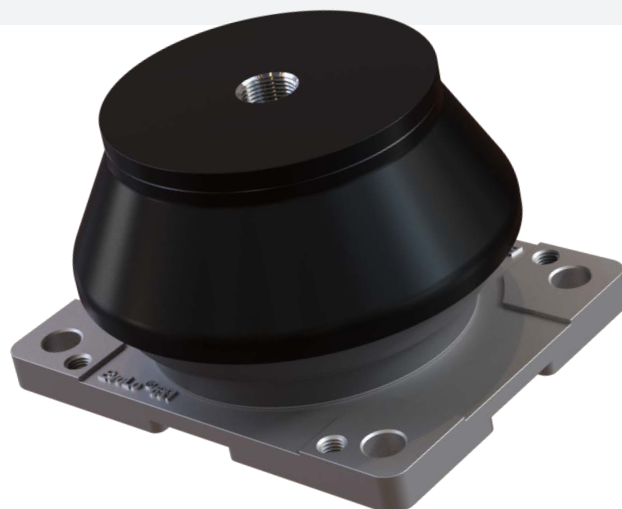
Rubber part: Highest quality natural rubber  
 Metal: Aluminum

### IDENTIFICATION

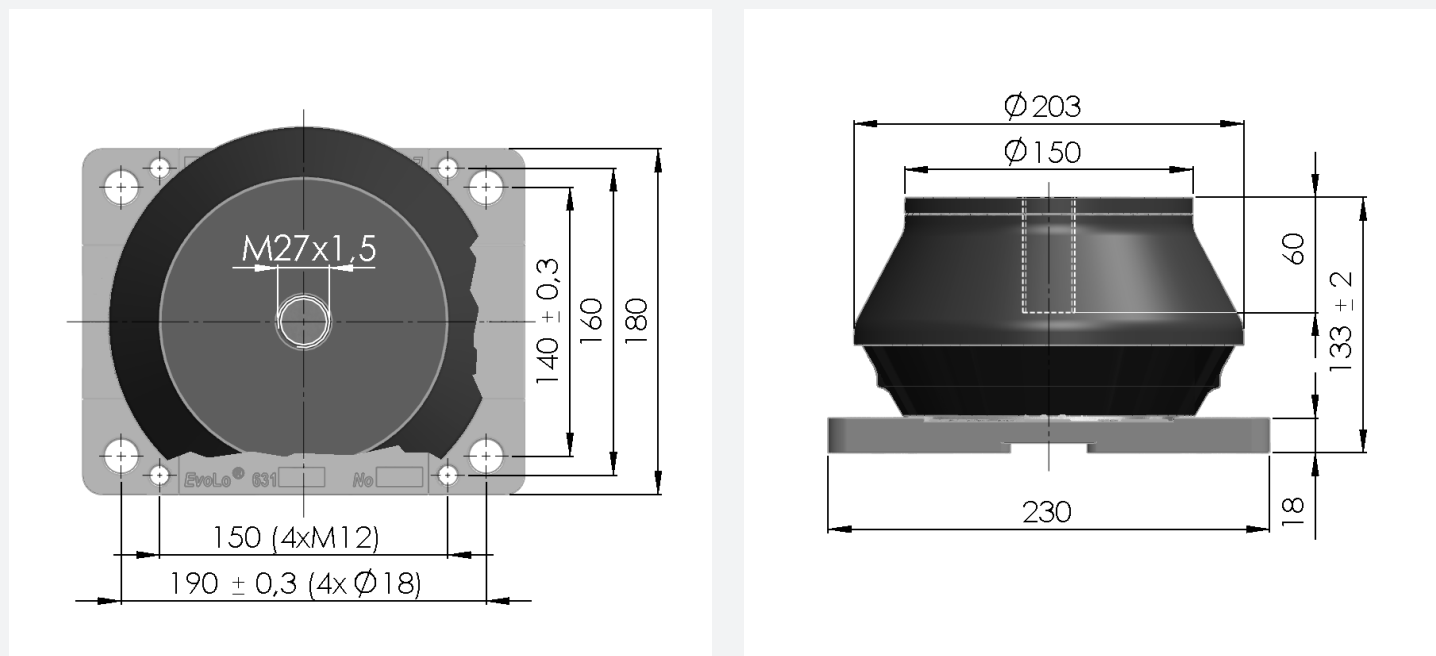
The type is marked in the mounting plate.

### ADVANTAGES

- Type approvals available on request
- Optimum vibration isolation
- Easy and quick installation
- Build in end-limiter to protect against overload
- Capable of handling both vertical and horizontal forces
- Natural rubber gives maximum vibration isolation
- One type fits all weights between 1000 and 6000 kg
- Stock item



### TECHNICAL DRAWING

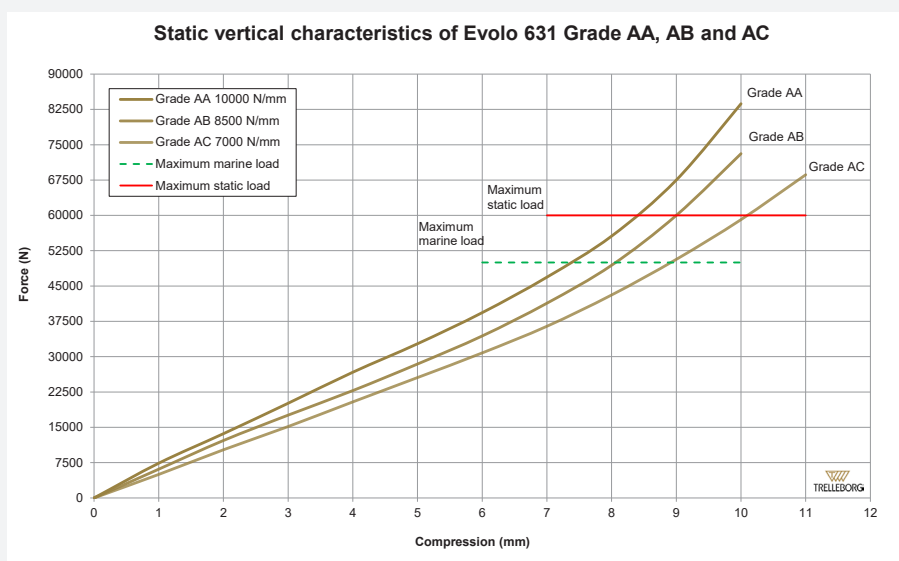


# EVOLVO 631 GRADE AA-AC

## TECHNICAL DATA

ARTICLE NO.	GRADE	MAXIMUM LOAD
103631AA0	AA	60 kN
103631AB0	AB	60 kN
103631AC0	AC	60 kN

## STATIC VERTICAL CHARACTERISTICS



## HORIZONTAL CHARACTERISTICS WHEN PRE-COMPRESSED 5 MM

