

Cushyfoot

Cushyfoot have two rubber elements, used in shear and compression, to provide excellent stiffness characteristics for the isolation of a wide range of vibration frequencies. The load range varies from 50 to 1280 kg per mounting and will provide up to 16 mm static deflection.

Features:

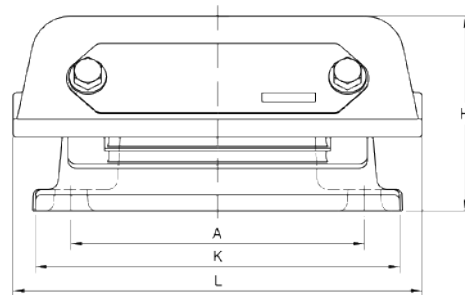
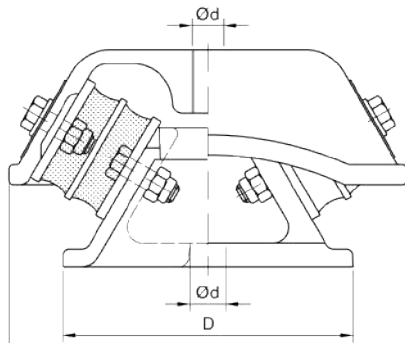
- A wide load range from 50 to 1280 kg
- Strong casting for safety and reliability
- Dissimilar horizontal stiffness gives optimum isolation and motion control

Typical applications:

- Diesel engines
- Generator sets
- Compressors
- Fans
- Hydraulic units
- Lift machinery



Technical Drawing



Product Data

REFERENCE	DRAWING NO.	PART NO.	HARDNESS (IRHD)	DIMENSIONS (mm)								STATIC STIFFNESS (N/mm)	MAX. LOAD (kN)
				L	B	A	K	H	D	Ød	G		
A3	050 18 001	96808	50	121	127	90	115	72	83	11	M12	240	1,50
		49047069									M16		
A2		96806	50								M12	310	1,90
		49041129									M16		
A1		96809	65								M12	520	3,10
		49047070									M16		
A0		96807	75								M12	900	5,30
		49047071									M16		
A3	17-0290-1	20-00689	45	122	132	90	114	72	82	13	M16	160	1,20
A1		10-04251	60								300	2,30	
A0		10-04116	70								545	3,50	
HD3	050 18 004	596744	50	228	203	165	203	120	146	17,5	M16	450	5,00
HD2		96800	60									770	8,50
HD1		96920	65									860	9,50
HD0		96801	75									1140	12,50
B3	050 18 002	96802	50	228	203	165	203	110	146	17,5	M16	1080	6,50
B2		96805	60									1580	9,50
B1		96804	65									2080	12,50
B0		96803	75									2670	16,00
B3	17-0213-1	10-04106	45	230	204	165	205	110	148	18	M16	720	5,90
B1		10-04104	60									1460	12,50
HD3	17-0346-1	10-04123	45	230	204	165	205	123	148	18	M16	390	6,30
HD1		10-04120	60									785	12,80