

## Bobbin Type D

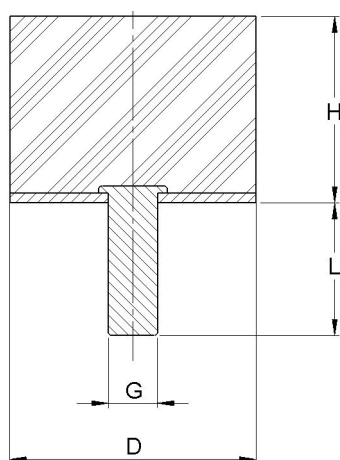
Bobbin mounts can be used in a wide variety of applications to permit relative movement of the suspended mass and isolation from the effects of noise, vibration and shock. The bobbin mounts are designed to have a higher compressive stiffness and a lower shear stiffness.

### Typical applications:

- Light fans
- Engines and pumps
- Compressors
- Measuring and test equipment



### Technical Drawing



TYPE D STANDARD  
& CONTOURED

### Product Data

Figures stated are for natural rubber (NR). Other compound types and hardness are available upon request. The technical values are to be used for info only. Other dimensions on special demand with minimum quantity and/or order value.

REFERENCE*	DRAWING NO.	PART NO.	HARDNESS (IRHD)	DIMENSIONS (mm)				COMPRESSION		MAX. BOLT TORQUE (Nm)
				ØD	H	Ød	L	MAX. LOAD (N)	MAX. DEFLECTION (mm)	
TYPE D STANDARD										
D13/10	D 1310	509157	60	13	10	M5	10	46	0,7	2,7
D13/13.5	D 1313	509158	60	13	13,5	M5	10	41	1,0	2,7
D13/15	D 1315	509159	60	13	15	M5	10	41	1,1	2,7
D13/20	D 1320	509160	60	13	20	M5	10	37	1,5	2,7
D15/10	D 1510	54001836	65	15	10	M4	10	87	0,8	1,3
D15/15	D 1515	54001846	65	15	15	M4	10	70	1,3	1,3
D16/10	D 1610	509161	60	16	10	M5	12	79	0,7	2,7
D16/15	D 1615	509164	60	16	15	M5	12	65	1,1	2,7
D16/20	D 1620	509165	60	16	20	M5	12	59	1,4	2,7
D16/25	D 1625	509166	60	16	25	M5	12	59	1,9	2,7
D20/8.5	D 208,5	509167	60	20	8,5	M6	16,5	172	0,5	4,7
D20/15	D 2015	509168	60	20	15	M6	16,5	112	1,0	4,7
D20/20	D 2020	509169	60	20	20	M6	16,5	99	1,4	4,7

\*REFERENCE is defined as ØD/H

REFERENCE*	DRAWING NO.	PART NO.	HARDNESS (IRHD)	DIMENSIONS (mm)				COMPRESSION		MAX. BOLT TORQUE (Nm)
				ØD	H	Ød	L	MAX. LOAD (N)	MAX. DEFLECTION (mm)	
<b>TYPE D STANDARD</b>										
D20/25	D 2025	509170	60	20	25	M6	16,5	92	1,8	4,7
D20/30	D 2030	509171	60	20	30	M6	16,5	92	2,3	4,7
D25/10	D 2510	509172	60	25	10	M8	20	273	0,6	11
D25/15	D 2515	509173	60	25	15	M8	20	195	1,0	11
D25/19	D 2519	509174	60	25	19	M8	20	171	1,3	11
D25/22	D 2522	509176	60	25	22	M8	20	161	1,6	11
D25/25	D 2525	509177	60	25	25	M8	20	161	1,9	11
D25/30	D 2530	509178	60	25	30	M8	20	145	2,2	11
D25/40	D 2540	509179	60	25	40	M8	20	136	3,0	11
D30/15	D 3015	509180	60	30	15	M8	25	287	1,2	11
D30/22	D 3022	509181	60	30	22	M8	25	249	1,6	11
D30/30	D 3030	509182	60	30	30	M8	25	220	2,2	11
D30/40	D 3040	509183	60	30	40	M8	25	203	3,0	11
D40/20	D 4020	509184	60	40	20	M10	25	544	1,4	23
D40/25	D 4025	509185	60	40	25	M10	25	474	1,8	23
D40/35	D 4035	509186	60	40	35	M10	25	407	2,6	23
D40/40	D 4040	509187	60	40	40	M10	25	407	3,1	23
D40/45	D 4045	509188	60	40	45	M10	25	376	3,4	23
D50/20	D 5020	54001952	65	50	20	M10	28	1240	1,8	23
D50/25	D 5025	509189	60	50	25	M10	25	850	1,8	23
D50/35	D 5035	509190	60	50	35	M10	25	700	2,6	23
D50/45	D 5045	509191	60	50	45	M10	25	630	2,9	23
D60/22	D 6022	509193	60	60	22	M10	25	1551	1,5	23
D60/25	D 6025	509194	60	60	25	M10	25	1385	1,8	23
D60/36	D 6036	509195	60	60	36	M10	25	1083	2,6	23
D60/45	D 6045	509196	60	60	45	M10	25	971	3,3	23
D70/35	D 7035	509197	60	70	35	M10	25	1650	2,5	23
D70/50	D 7050	509198	60	70	50	M10	25	1351	3,7	23
D70/70	D 7070	509199	60	70	70	M10	25	1351	3,7	23
D80/25	D 8025	509201	60	80	25	M14	35	3195	1,7	62
D80/30	D 8030	509203	60	80	30	M14	35	2674	2,1	62
D80/40	D 8040	509204	60	80	40	M14	35	2140	2,9	62
D80/70	D 8070	509205	60	80	70	M14	35	1620	5,3	62
D80/80	D 8080	509206	60	80	80	M14	35	1620	6,3	62
<b>TYPE D CONTURED</b>										
D15/6	030 18 068	90496	65	15	6	M4	15	315	1,2	1,3
D15/13	030 18 029	91040	65	15	13	M4	15	97	1,8	1,3
D16/4	030 18 027	90308	65	16	4	M4	10	473	0,7	1,3
D20/12	030 18 055	90335	65	20	12	M6	10,5	445	2,5	4,7
D20/12	030 18 055	91589	75	20	12	M6	10,5	550	2,5	4,7
D20/16	030 18 031	97159	50	20	16	M6	18,5	149	3,4	4,7
D20/16	030 18 031	97155	65	20	16	M6	18,5	402	3,4	4,7
D20/16	030 18 031	97156	80	20	16	M6	18,5	694	3,4	4,7
D30/16	030 18 095	97197	65	30	16	M8	13	1098	3,2	11
D30/16	030 18 094	97196	65	30	16	M8	20	1098	3,2	11
D30/16	030 18 035	597193	65	30	16	M8	23	1098	3,2	11
D30/18	030 18 133	97198	65	30	18	M8	23	580	3,5	11

\*REFERENCE is defined as ØD/H

REFERENCE*	DRAWING NO.	PART NO.	HARDNESS (IRHD)	DIMENSIONS (mm)				COMPRESSION		MAX. BOLT TORQUE (Nm)
				ØD	H	Ød	L	MAX. LOAD (N)	MAX. DEFLECTION (mm)	
<b>TYPE D CONTURED</b>										
D30/26	030 18 037	90317	65	30	26	M8	23	798	5,2	11
D40/26	030 18 039	91070	65	40	26	M10	27,5	2152	5,5	23
D40/30	030 18 120	90358	65	40	30	M8	22,5	1469	5,5	11
D40/30	030 18 023	90305	65	40	30	M10	27,5	1502	5,5	23
D50/12	030 18 026	90307	65	50	12	M10	27,5	4879	1,9	23
D50/36	030 18 041	90321	65	50	36	M10	27,5	2563	7,0	23
D50/37.5	030 18 054	500068	65	50	37,5	M10	27,5	2851	7,5	23
D70/55	030 18 043	90324	65	70	55	M12	37	2729	7,8	39
D75/20	030 18 045	597219	65	75	20	M12	37	7742	3,0	39
D75/30	030 18 137	90362	65	75	30	M12	37	7481	6,1	39
D75/45	030 18 047	91616	65	75	45	M12	37	5224	8,0	39
D160/65	030 18 165	91253	65	160	65	M16	46	30658	13,3	94,5

\*REFERENCE is defined as ØD/H