

Cushyfloat™ Mountings



Features

Originally designed for use with marine engines, this compact low profile mounting is easy to install. It combines 3 way control of the suspended equipment with relatively large static deflections where the rubber is loaded in shear and compression.

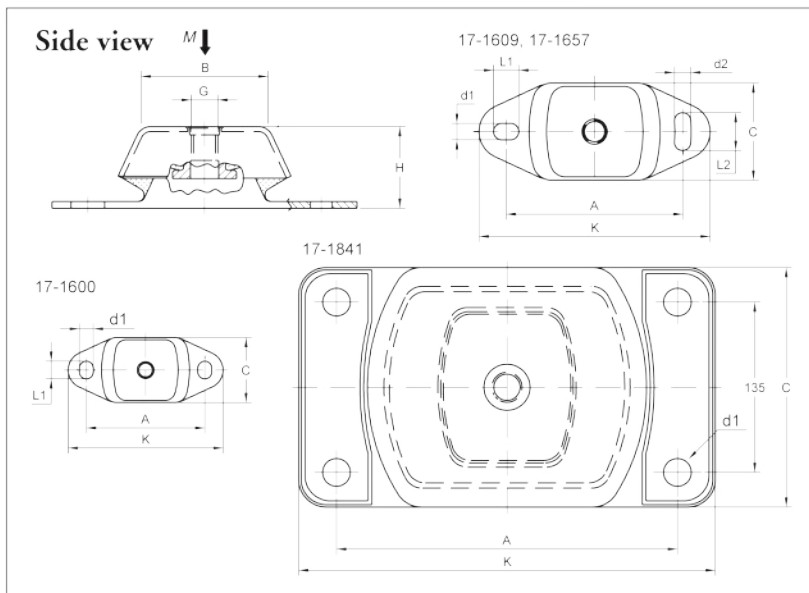
The design incorporates bump and rebound control features which limit excessive movements under shock loading. Top metal cover gives protection against oil contamination.

Protective finish resists corrosion attack. Propeller thrust on marine applications is accommodated. There are four sizes in the standard range which with varying degrees of rubber hardness cater for point loads from 32 kg to 3000 kg. Natural frequencies as low as 8 Hz are possible.

Metalastik® type Cushyfloat™

The Cushyfloat™ mounting is an ideal general purpose unit designed to provide effective isolation of vibration and noise arising from many types of static and mobile equipment including:

- Marine, industrial and vehicle engines
- Generator sets
- Pumps
- Compressors



Cushyfloat Art.No.		Dimensions in mm										Weight (kg)	M-max (kg)	
		B	C	A	K	H	d1	L1	d2	L2	G			
17-1600-45	(45° IRH)	60	60	100	120	38	11	14				M12	0.3	35
17-1600-55	(55° IRH)													55
17-1600-65	(65° IRH)													80
17-1609-45	(45° IRH)	75	75	140	183	50	13	20	13	30		M16	0.9	110
17-1609-55	(55° IRH)													160
17-1609-65	(65° IRH)													200
17-1609-75	(75° IRH)													250
17-1657-45	(45° IRH)	80	112	182	230	70	18	26	18	34		M20	2.4	280
17-1657-55	(55° IRH)													450
17-1657-65	(65° IRH)													600
17-1657-75	(75° IRH)													810
17-1841-40	(40° IRH)	145	190	270	330	112	Ø22					M24	9.6	950
17-1841-50	(50° IRH)													1400
17-1841-60	(60° IRH)													2200
17-1841-70	(70° IRH)													3000