

Metalastik® type Cushyfloat™



Features

Originally designed for use with marine engines, this compact low profile mounting is easy to install. It combines 3 way control of the suspended equipment with relatively large static deflections where the rubber is loaded in shear and compression.

The design incorporates bump and rebound control features which limit excessive movements under shock loading. Top metal cover gives protection against oil contamination and protective finish resists corrosion attack. Propeller thrust on marine applications is accommodated. There are four sizes in the standard range with varying degrees of rubber hardness cater for point loads from 32kg to 3000kg. Natural frequencies as low as 8Hz are possible.

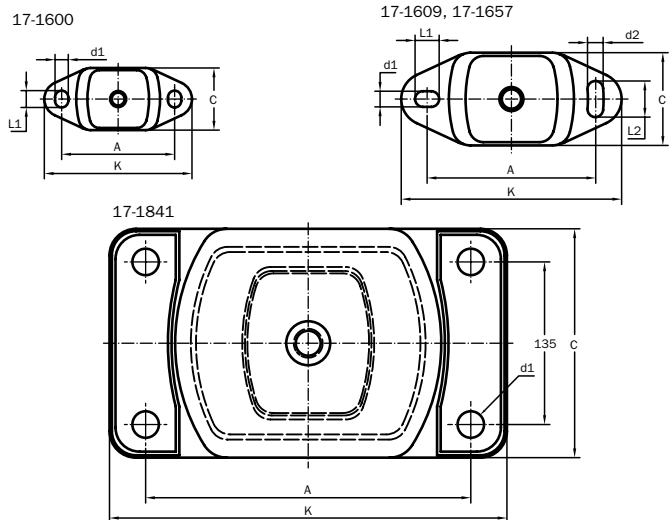
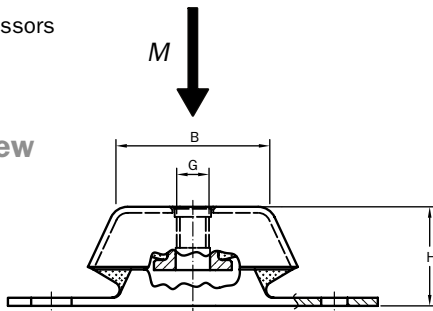
Note: When used in marine engine applications with thrust forces involved, the maximum load capacity is substantially reduced, see table below!

Metalastik® type Cushyfloat™

The Cushyfloat™ mounting is a general purpose unit designed to provide effective isolation of vibration and noise arising from both static and mobile equipment including:

- ▼ Marine, industrial and vehicle engines
- ▼ Generator sets
- ▼ Pumps
- ▼ Compressors

Side View



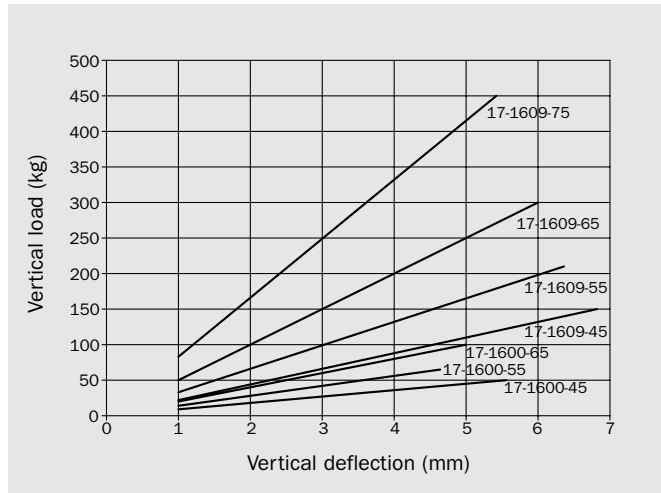
Product No.	Dimensions in mm										Weight (kg)	M-max (kg)	M-max* (kg)			
	B	C	A	K	H	d1	L1	d2	L2	G						
17-1600-45																
17-1600-55	62	60	100	120	38	11	14	-	-	M12	0.3	65	55			
17-1600-65												100	80			
17-1609-45												150	95			
17-1609-55												210	140			
17-1609-65	76	75	140	183	50	13	20	13	30	M16	0.9	300	210			
17-1609-75												450	315			
17-1657-45												350	250			
17-1657-55												520	370			
17-1657-65	87	112	182	230	70	18	26	18	34	M20	2.4	800	560			
17-1841-40												950	630			
17-1841-50												1400	945			
17-1841-60	145	190	270	330	112	22	-	-	-	M24	9.6	2200	1575			
17-1841-70												3000	2100			

*Marine engine applications with thrust forces M-max (kg)

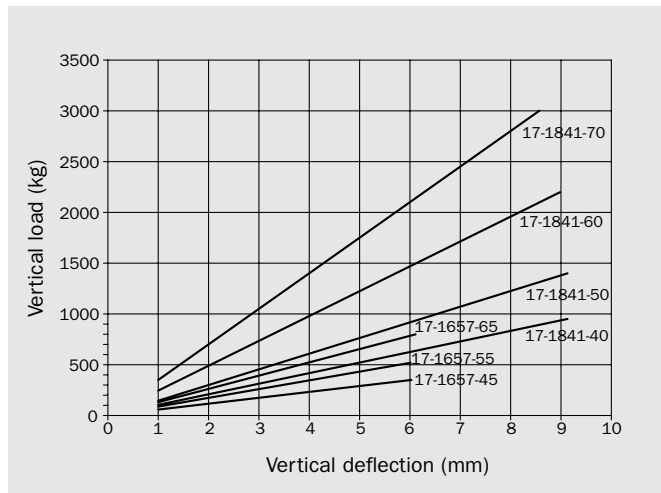


Metalastik® type Cushyfloat™

Cushyfloat 17-1600 and 17-1609
Vertical load-deflection



Cushyfloat 17-1657 and 17-1841
Vertical load-deflection



TRELLEBORG

Trelleborg Industrial AVS, 1 Hoods Close, Leicester LE4 2BN UK. ▼ Tel: +44 (0) 116 267 0300 ▼ Fax: +44 (0) 116 267 0301 ▼ www.trelleborg.com/industriav



Trelleborg Industrial AVS operates a policy of continuous improvement and development. We reserve the right to change design and specification of our products without prior notification or alteration of literature. We will not be held responsible for any danger or damage incurred through improper use or installation.