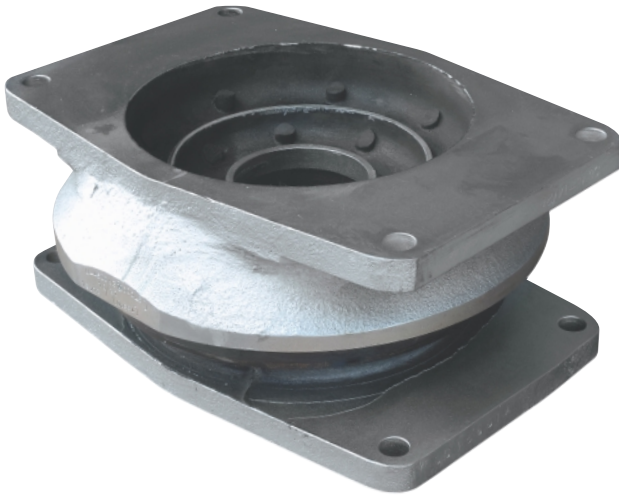


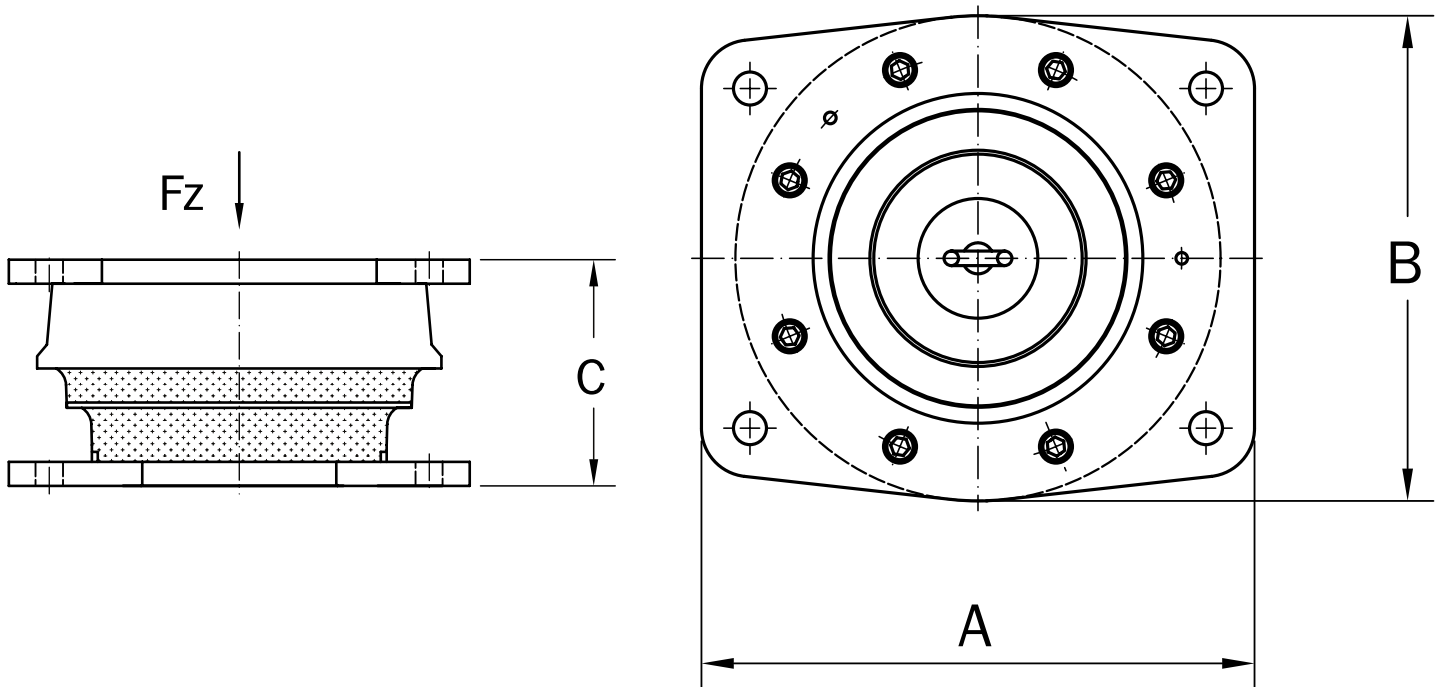
Metalastik® type Equi-Frequency mountings large series

Features

- ▼ In common with the range of smaller Equi-Frequency mountings, these heavy duty parts have substantially the same stiffness in all directions.
- ▼ With two sizes of mounts produced in two rubber compounds it is possible to support static loads from 40 to 215kN. Parts are available with ferrous and non magnetic metal parts. Rubber sections are protected with an MOD approved protective lacquer to reduce oil and ozone attack.
- ▼ Equi-Frequency mountings are designed to meet the shock requirements of BR8470 (UK MOD).
- ▼ This range of mountings was designed to support and isolate Marine propulsion engines, Generator sets, Gas Turbine engines, Reactors and Machinery Rafts.

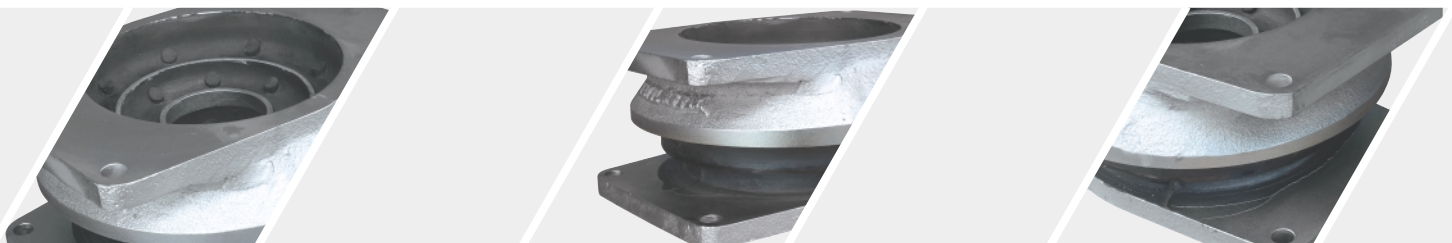


View on Fz



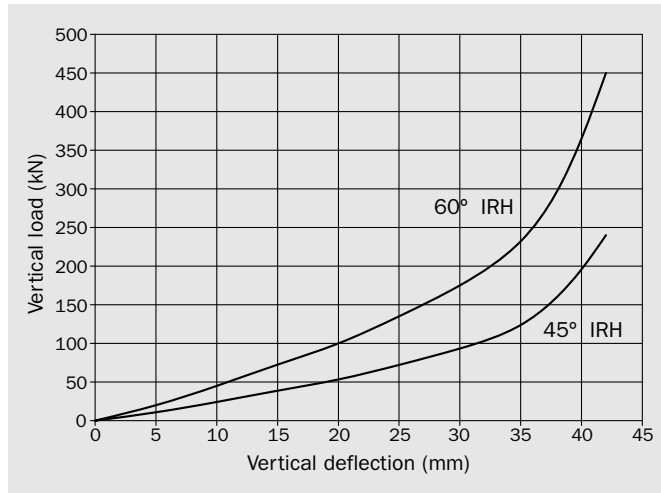
All dimensions in mm

Product	Dimensions			Mass Weight	Rubber	Load, Fz	Static Stiffness	Dynamic Stiffness
No.	A	B	C	kg	Hardness	kN	kN/mm	kN/mm
17-1472	346	305	152	31	45	40	2.45	2.82
					60	74	4.6	6.0
17-1544	570	500	283	192	45	115	8.0	9.3
					60	215	14.2	18.5

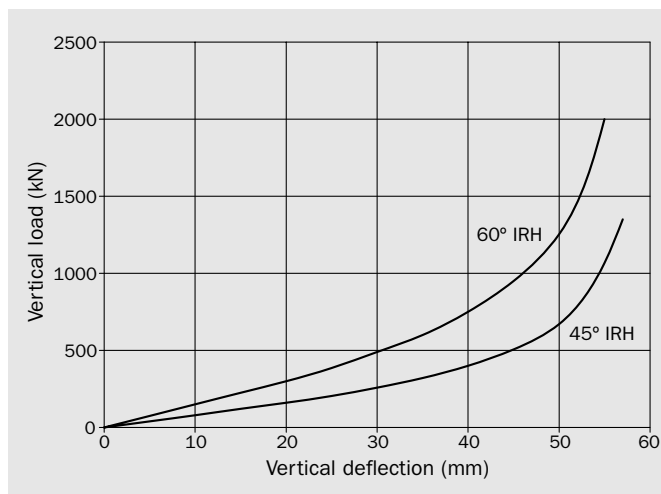


Metalastik® type Equi-Frequency mountings large series

17-1472 Typical vertical load-deflection properties



17-1544 Typical vertical load-deflection properties



TRELLEBORG

Trelleborg Industrial AVS, 1 Hoods Close, Leicester LE4 2BN UK. ▼ Tel: +44 (0) 116 267 0300 ▼ Fax: +44 (0) 116 267 0301 ▼ www.trelleborg.com/industriav

